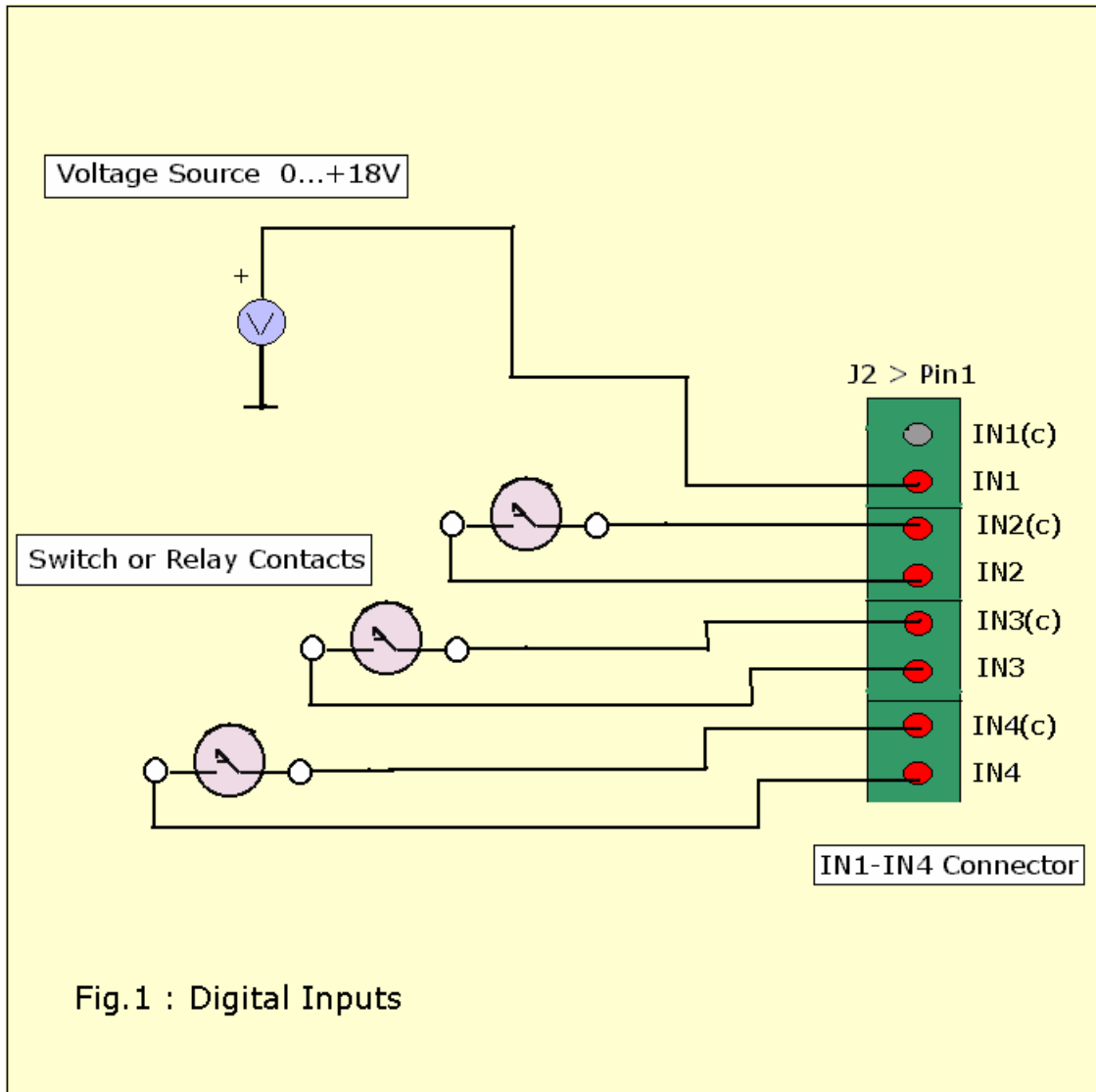




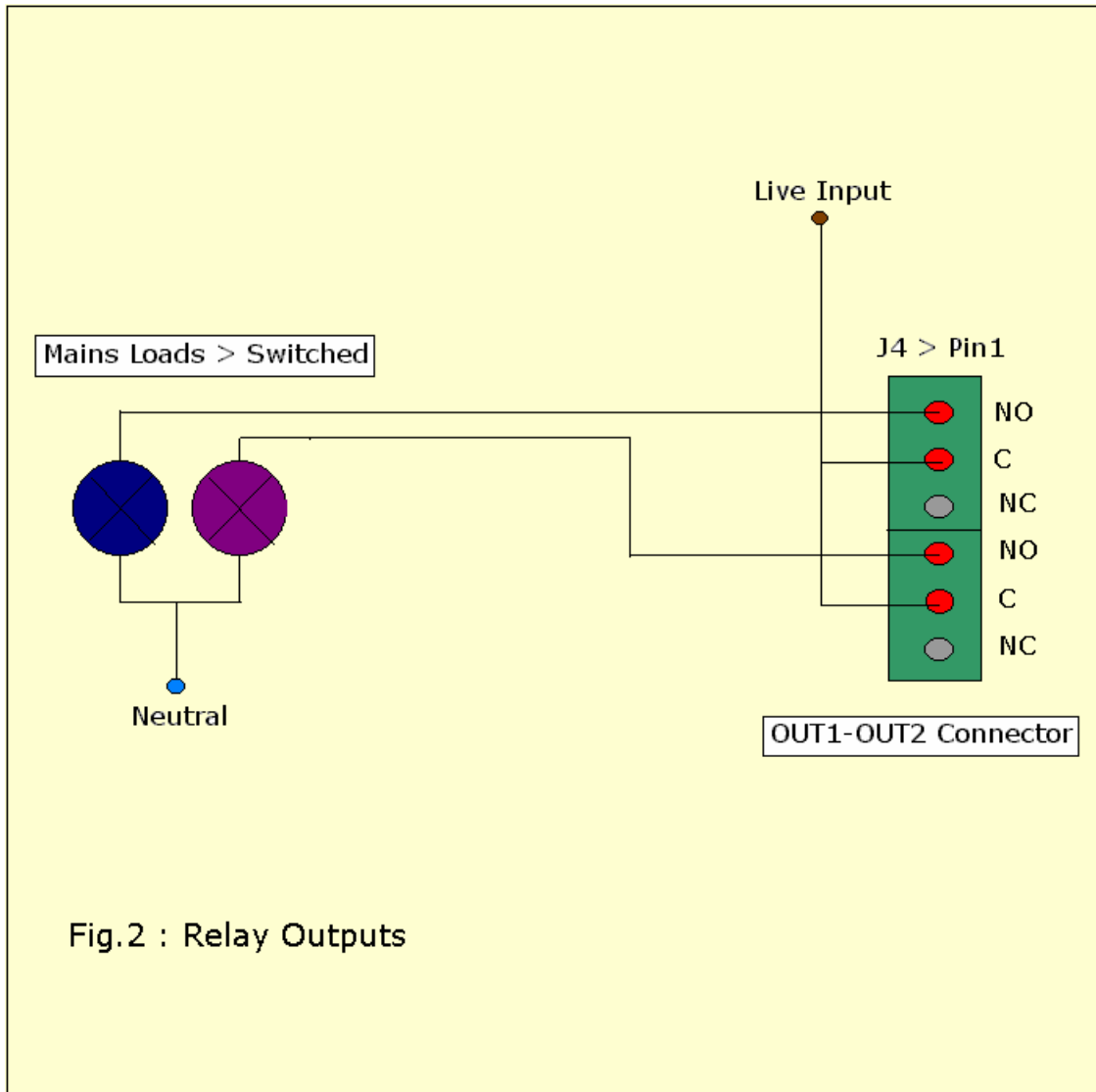
Digital Inputs



- Digital Inputs can be volt free contacts or voltage source
- Examples of volt free contacts are switch and relay contacts
- ON state is indicated when contacts are closed
- Inputs are optically isolated for robustness
- Momentary Test switches on all inputs
- Input status leds are visible through clear front lid
- Voltage threshold for ON state is +4.8V– 18V dc max.
- Input current is 5mA max @ +12V dc input (ON state)



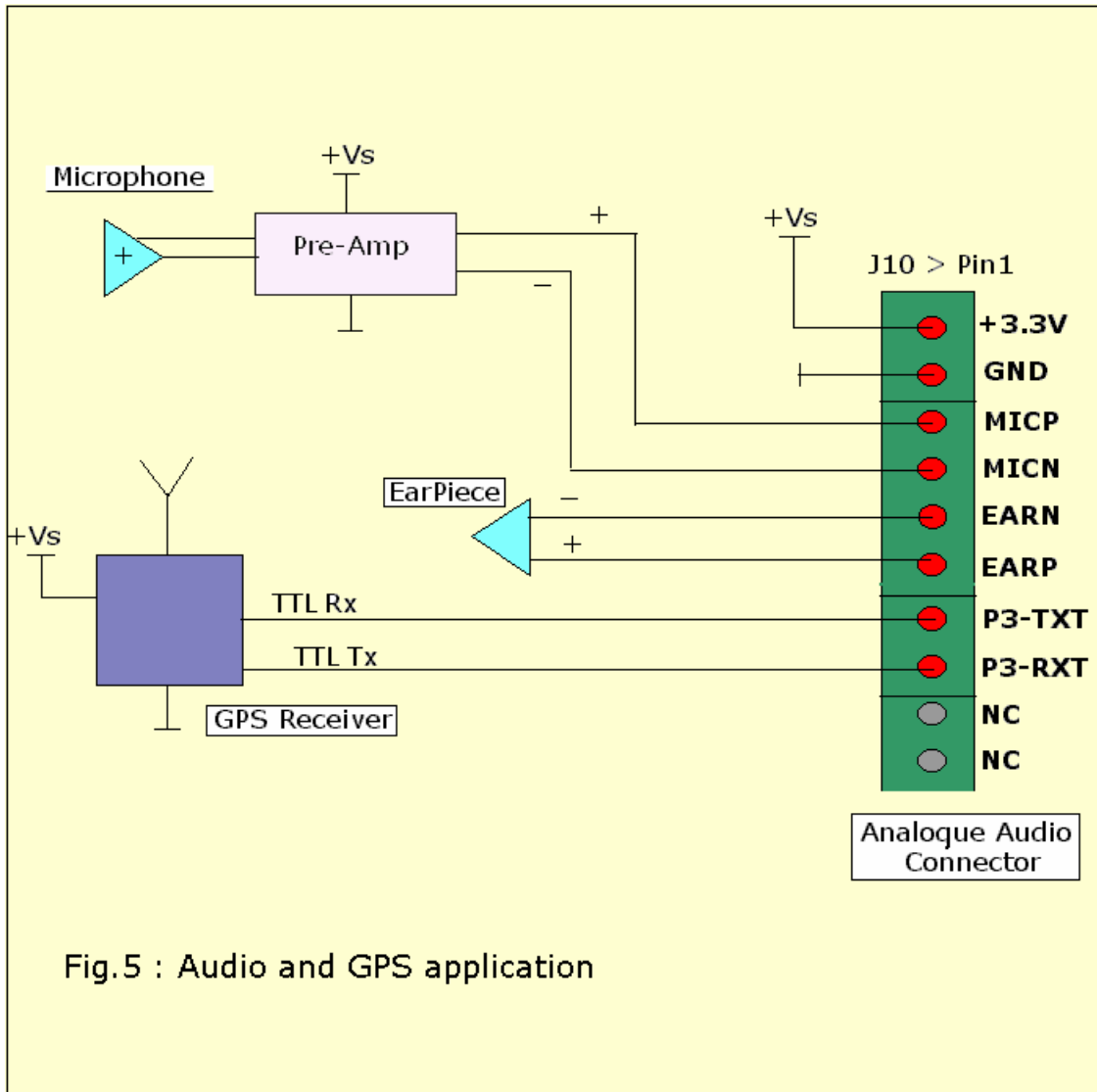
Relay Outputs



- Relay Outputs can switch lamps, solenoids, motors etc
- Both relays are rated up to 250V AC Mains or 30V dc load
- Maximum load current per relay is 5A for inductive loads
- NO, C, NC relay contacts available to user
- Robust 5mm screw connectors for wiring
- Enclosure is IP rated with grommets for industrial use
- Output status leds are visible through clear front lid
- Integral WL-2 module used as GSM engine



Audio and GPS application



- Audio differential input can be microphone with pre-amp
- Audio differential output can be direct earpiece connection
- GPS receiver supplies location information via TTL serial link
- TTL levels are 3.3V standard and 5V optional
- GPS plug in module is optional
- TTL Serial link uses Java based serial port 3
- Serial port 3 (TTL) can also be used for custom applications
- Analogue Audio Connector is a 5 way DIL pin header



Serial Port 3 (RS232)

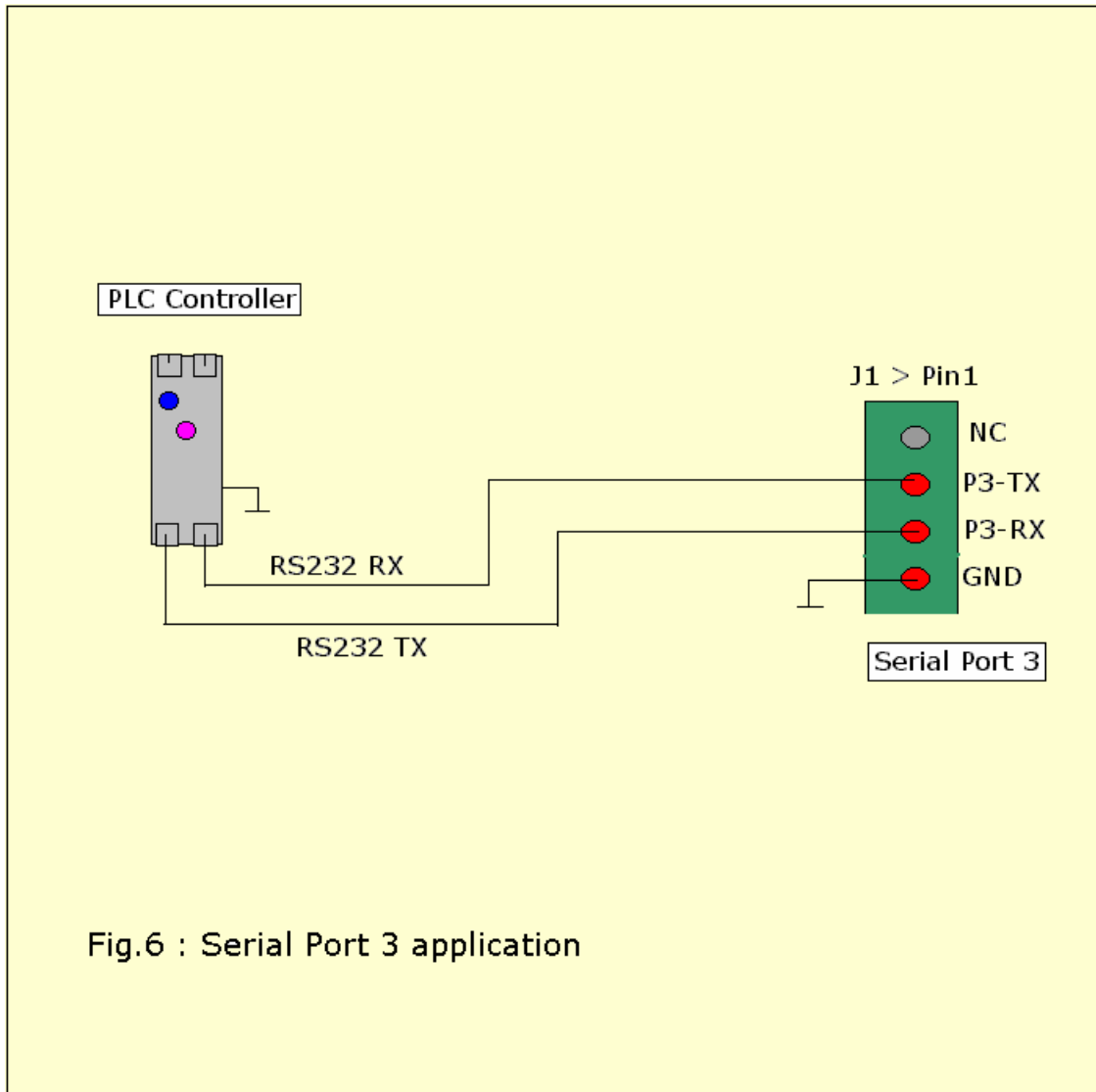


Fig.6 : Serial Port 3 application

- Serial port 3 can interface with RS232 serial devices
- RS232 serial devices include PLC and data loggers
- Serial port 3 is a Java enabled serial port
- RS485 serial option available instead of RS232
- Remote serial data can be sent to Internet via GPRS
- Serial data flow can be bidirectional with no handshaking
- Serial ports 1&3 TTL signals available on Expansion connector
- Serial port 3 (RS232) connector is a 4 way RJ type socket